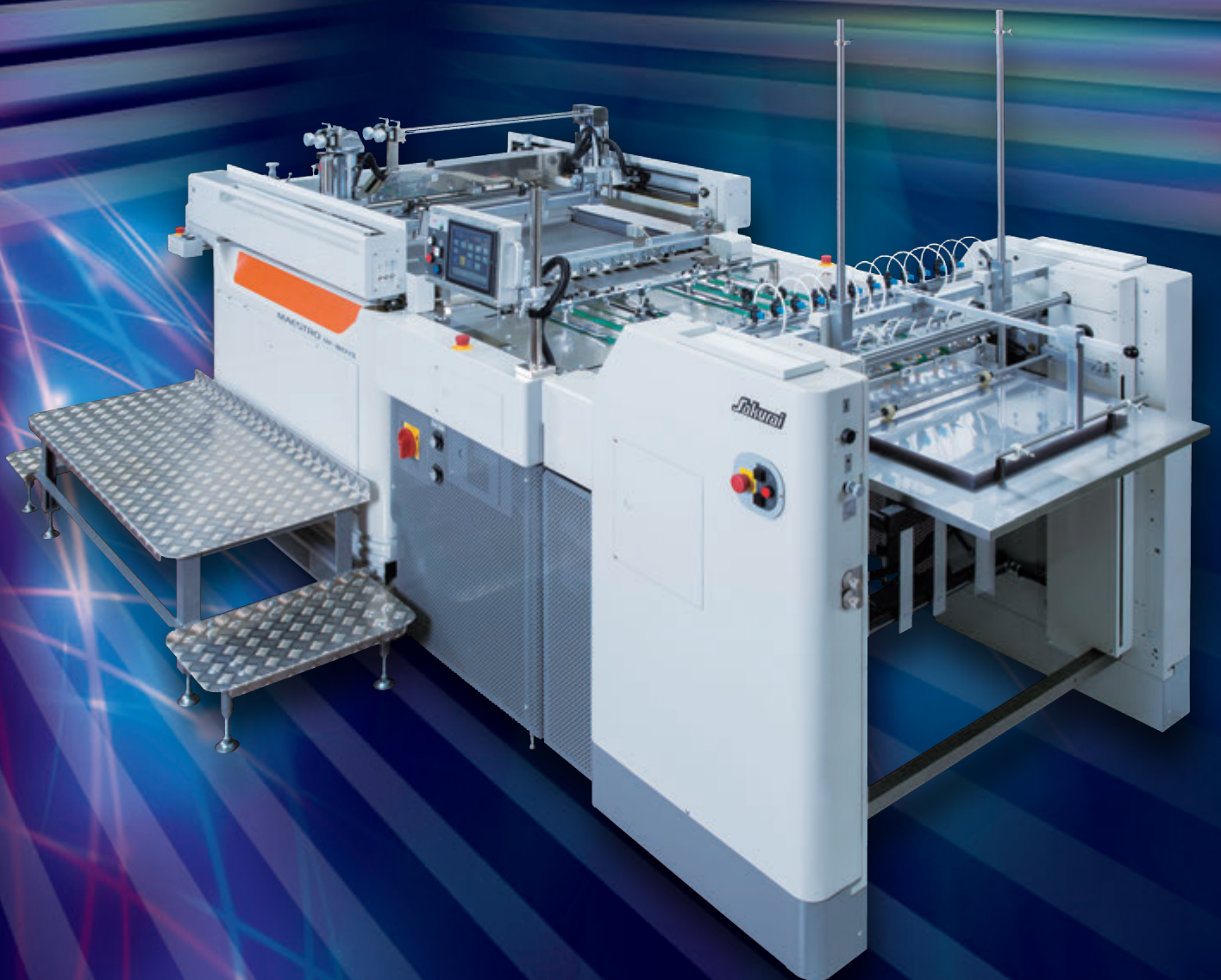


Sakurai

MAESTRO MF-80VII

Fine Line Pattern Printing, Flat Bed Fully Automatic Screen Printing Press



MAESTRO MF-80VII

For Fine Line Printing, Flat Bed Fully Automatic Screen Printing Press

Maestro MF-80VII is the fully automatic flat bed screen printing press.

As the printing unit and feeder unit are driven independently, it is easy to add other equipment such as a cleaning unit to the unit. More stable sheet position alignment can be achieved by a combination of feeding belt running speed control and vacuum type sheet alignment table.

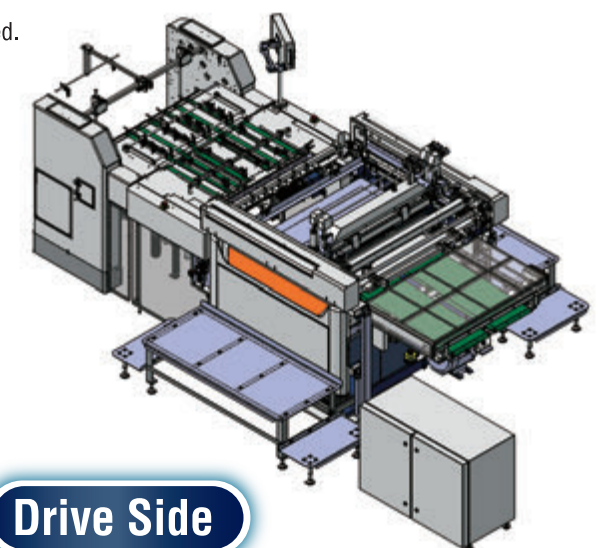
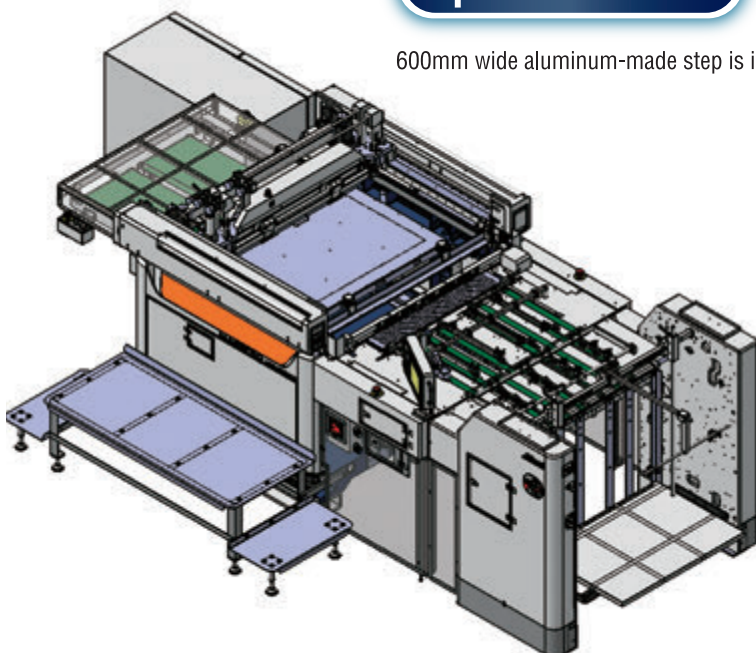
Easy sliding material is introduced on the feeding part and the air blower system on the tables achieving more smooth substrate delivery.

Numerical indication devices are equipped as standard features at the plate positioning adjustment, the squeegee & flood-coater pressure, the plate clearance off-contact adjustment area. Those are effective managing job by job work standardization and easy operation even by an inexperienced operator.

Stokes for squeegee/flood-coater, printing speed and counter setting can be made from the touch panel on the press.

Operation Side

600mm wide aluminum-made step is introduced.



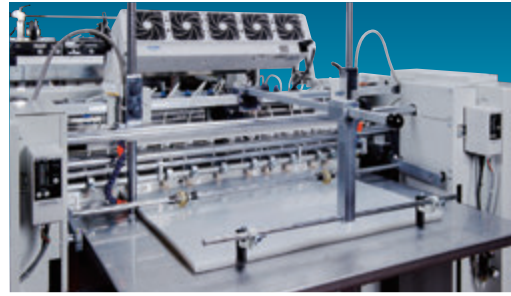
Drive Side

Electric box is located outside of press for easy maintenance.
The 600mm wide step for the drive side is available as an option.



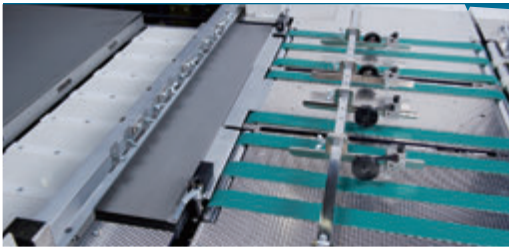
Operation panel

Bigger size touch panel is introduced for easy operation and setting.



Feeder (the photo shows some optional features)

Independent driven front pick up feeder is possible to feed various kinds of substrates stably.



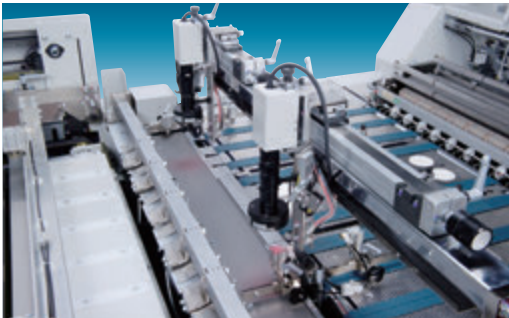
Feeder table

Embossed feed table is designed to achieve smooth substrate feeding. Tail side gripper device is available as a standard feature effective for thicker substrates.



Side register

Detecting edge of substrate by 0.001mm resolution sensor plus vacuum type alignment table achieve high precision.



CCD camera sheet alignment system (Optional feature)

The CCD cameras read the register mark on the printed substrate, and the suction table moves for sheet alignment.



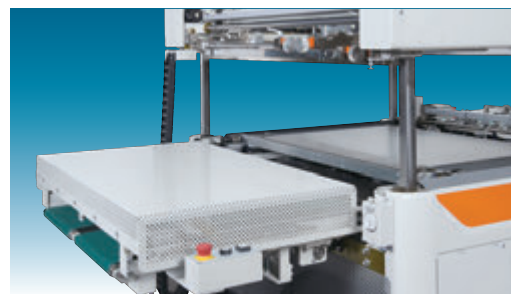
Printing part

An operator can run the press at the operation side only. Setting for drive side can be done from the operation side also. The numerical indicators available at squeegee and doctor pressure adjustments make it possible digital controlled management.



Lift-Up system (A some of option features are on the photo)

The lift up system is equipped with the press for easy maintenance and adjustment.



Delivery part

Wider belt is introduced for stable substrate delivery to a dryer. A cross-over stand for drying is not required.

Specifications

		Standard	CCD camera sheet alignment system (option)
Max. substrate size (W×L)	(mm)	800×600	←
Min. substrate size (W×L)	(mm)	350×270	420×270
Substrate thickness	(mm)	0.1~3.0(*1)	←
Max. substrate weight	(kgs)	1.0	←
Max. printable size (W×L)	(mm)	800×585	←
Max. frame size (W×L)	(mm)	1,100×1,000	←
Min. frame size (W×L)	(mm)	760×660	←
Max. printing speed	(IPH)	1,000(*2)	650(*2)
Dimensions (L×W×H)	(mm)	3,965×2,148×1,550(*3)	←
Net weight	(approx, kg)	3,800	←
Power consumption	(kw)	7	←

*1: It depends on the substrate's characteristics and printing conditions. (In case of 3.0mm thickness, Optional arrangement is needed)

*2: The denoted speeds are indicative of the mechanically possible performance. The speeds are subject to variation according to the plate and substrate to be used and printing conditions.

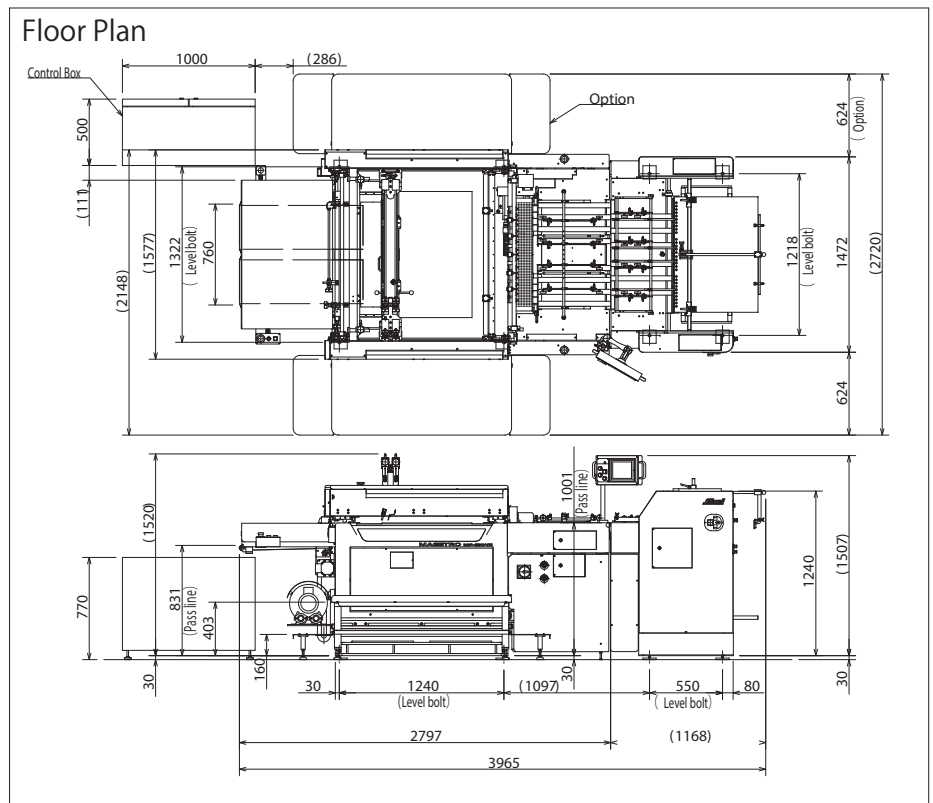
*3: Free standing control box excluded.

Standard features

- Sensor + vacuum type alignment table side register
- One side operation system (printing plate position, squeegee and flood-coater pressure adjustments)
- Squeegee & flood-coater are quickly and easily attached.
- Numerical indicators for several adjustment area.
- Screen frame unit lift-up
- Screen frame move back to horizontal position
- Printing head lift-up
- Touch panel operation
- Delivery conveyor
- Front pick up feeder (independent operation)
- 600mm wide step (operation side)

Optional features

- CCD camera sheet alignment system
- Squeegee height zero position setting device (manual)
- Dripless squeegee (swing type)
- Skew squeegee device
- Twice printing system
- Cleaning roller unit (Techni-clean roller)
- Static electricity eliminators
- Double-sheet detector (mechanical, ultra sonic)
- Sucker nozzle timing change for thick and hard material
- CCD cameras for plate positioning
- 600mm width step for drive side



* Engineering or technological information appearing in this catalogue includes many subjects which are patented or have patents pending.

* The manufacturer reserves the right to change without any prior notice, any of the following, as related to products listed in the subject catalogue.

(1) Improvement of safety, performance or functions (2) Improvement of the designed quality.

* The manufacturer shall not be held liable for any responsibility arising in any way for any use other than prescribed herein the products, the products liabilities of the company regulations and in other warnings it has made.

* Photographs appearing in this catalogue include some optional equipment. The specifications given are as of March 2015 and are subject to further change for improvement, together with the content of the photographs.

Superlative products to guarantee clients satisfaction

Sakurai
Sakurai Graphic Systems Corp.
<http://www.sakurai-gs.co.jp>

Headquarters 2-2-9 Fukuzumi, Koto-ku, Tokyo 135-0032, Japan
Tel: 81-3-3643-1131 Fax: 81-3-3641-9663 E-mail: info@sakurai-gs.co.jp
London Branch Cherrywell House, Tamian Way, Hounslow, Middlesex TW4 6BL UK
Tel: 44-20-8577-5672 Fax: 44-20-8572-3942 E-mail: admin@sakurai.co.uk
Sakurai USA, Inc. 1700 North Basswood Road, Schaumburg, IL 60173, USA
Tel: 1-847-490-9400 Fax: 1-847-490-4200 E-mail: sales@sakurai.com



ISO 9001,14001
PRODUCTION & TECHNOLOGY DEPT.

Printed in Japan '15.03.20(P)