

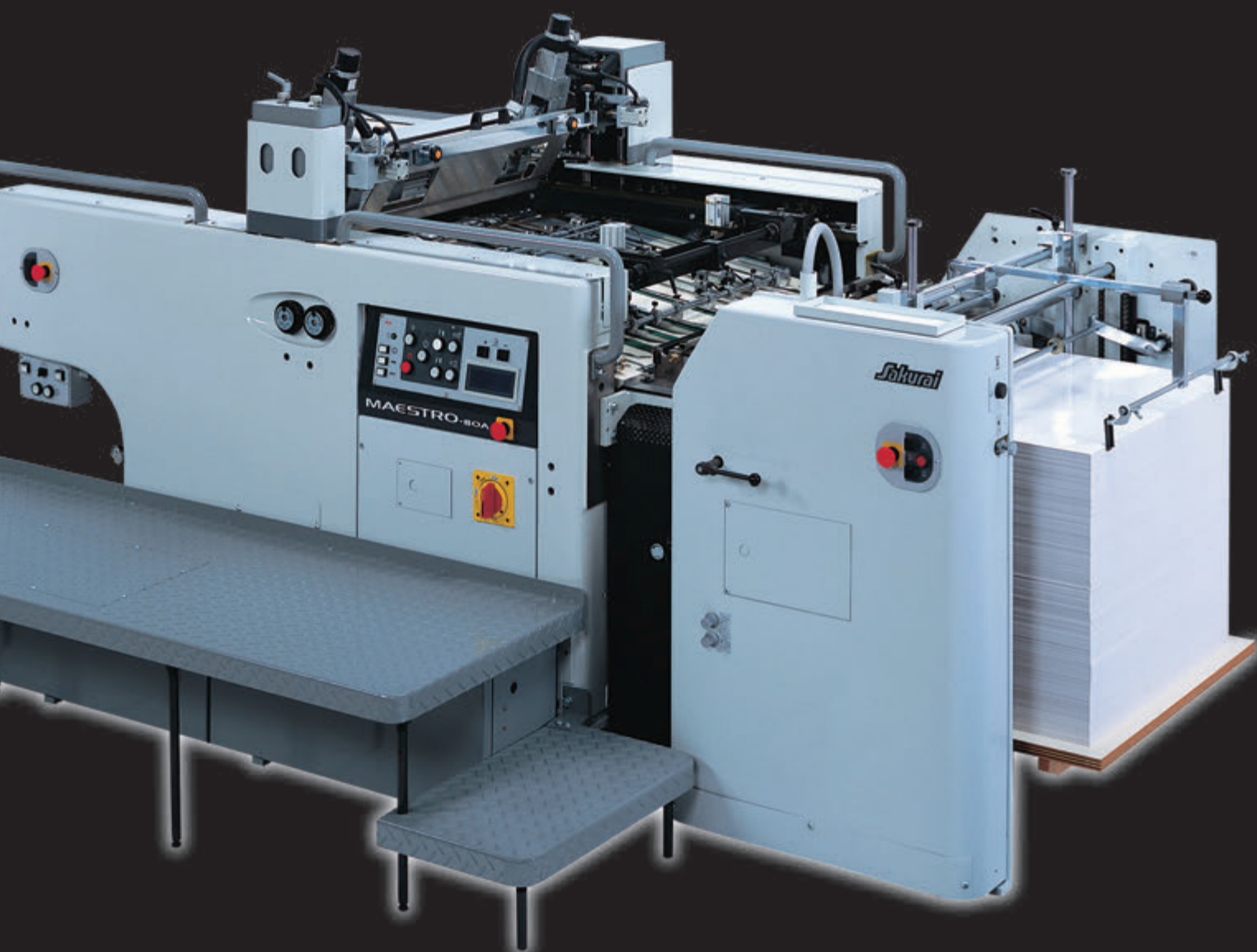
**Sakurai**

Full Automatic High Precision Rotary, Stop Cylinder Screen Press

# MAESTRO SERIES

MS-80A

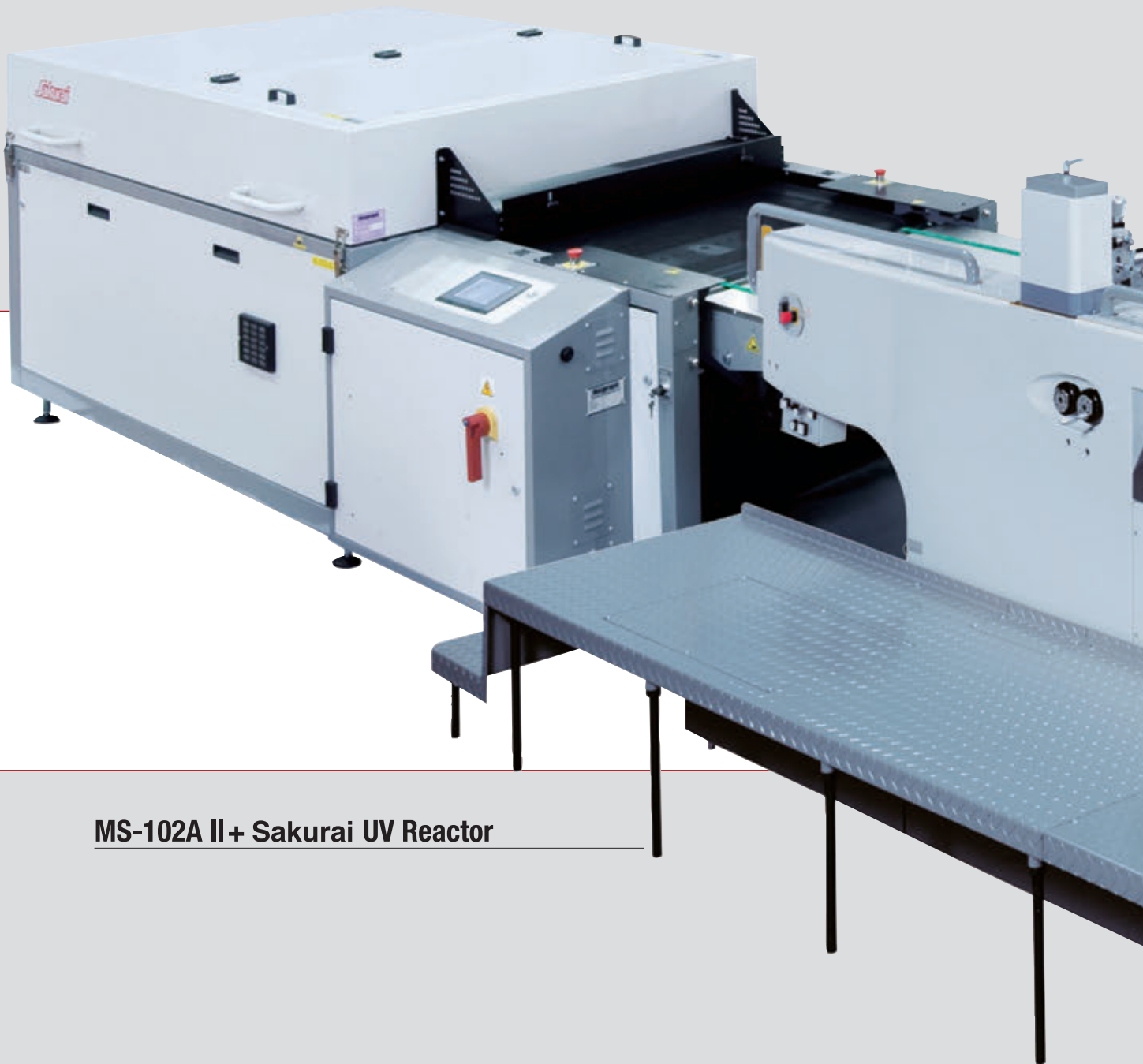
MS-102A II



The combination of high precision and productivity - Fully Automatic Ultra-High Precision F

# MAESTRO SERIES

Designed to meet the ever increasing demands in the field of industrial and commercial screen printing, Sakurai is covering B2 to B1 sizes. In the field of commercial screen printing, it is used for advertisements requiring long life and in addition for printing on stock produced on offset press. In the field of industrial printing, it is highly suited to printing products. We highly recommend our Maestro series screen print machine with half a century of fully automatic cylinder



**MS-102A II+ Sakurai UV Reactor**

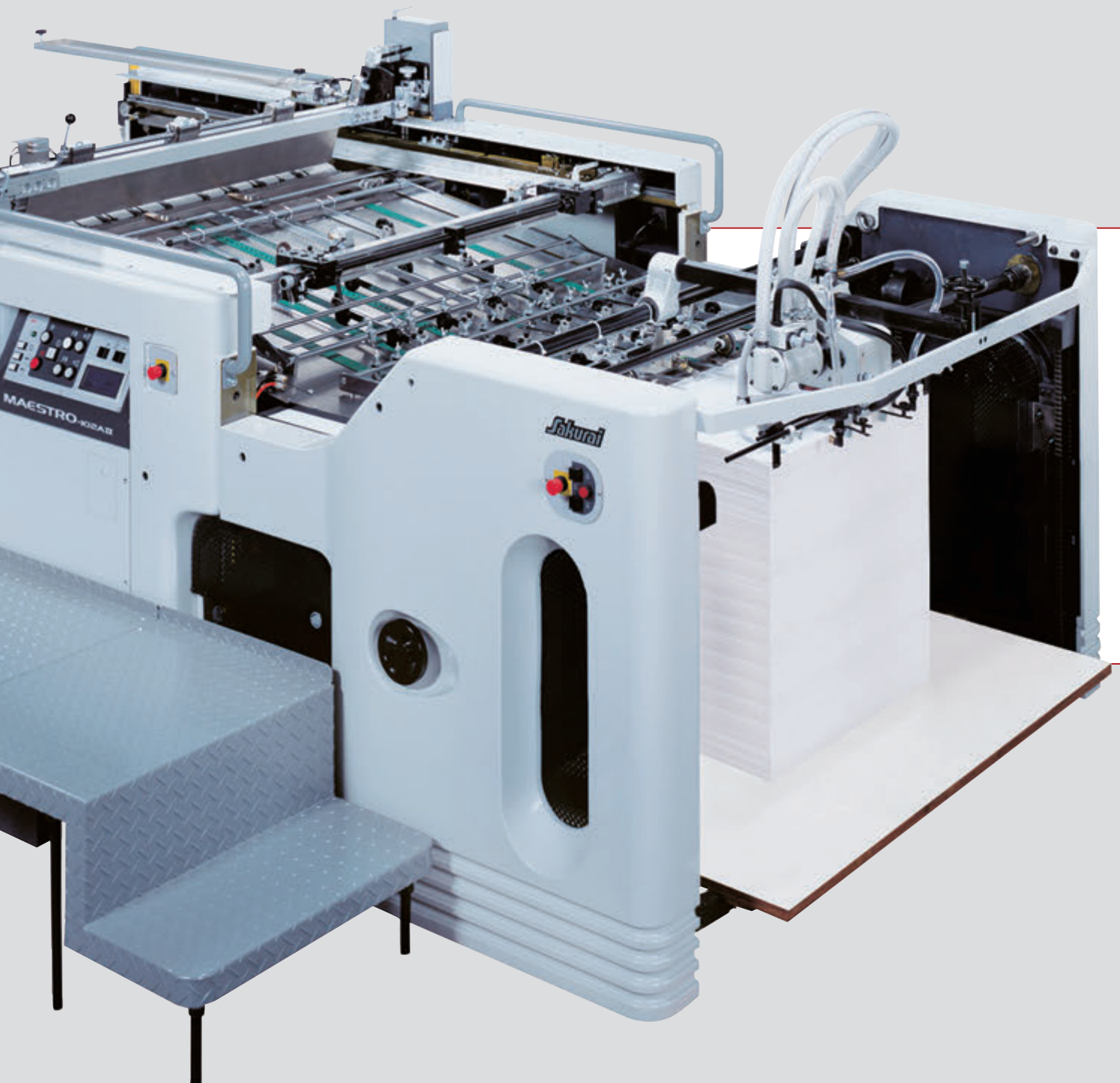
## Rotary, Stop Cylinder Screen Press

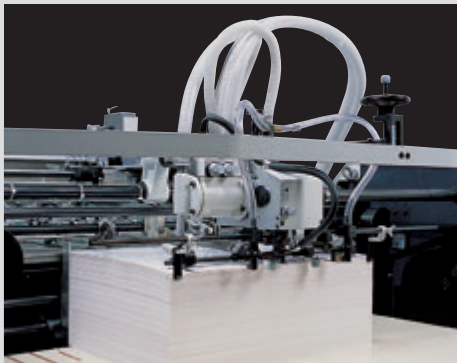
manufacturing 2 sizes of fully automatic stop cylinder screen press and sharpness which is a main characteristic of screen printing and in on many kind of films for electric, electron, motor vehicle and other manufacture experience and technology behind it.



### Operating Panel

Designed to be concise and simple to use the keyboard control system can be operated safely and accurately by anyone. Emergency stop buttons are located where they can be accessed easily if required. The panel is illustrated with symbols complying with ISO regulations.





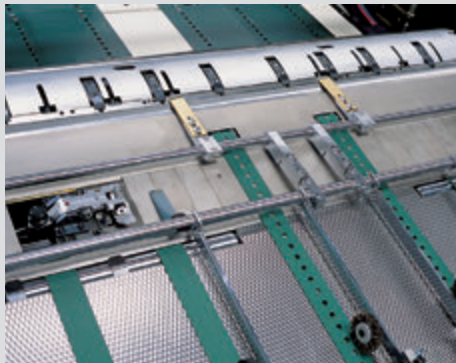
**Feeder**

Sakurai's original rear pick-up feeder, with technology taken from the offset press, ensures stable and smooth feeding of various types of substrate. Dependant on the substrate, overlapped (stream) or single sheet (universal) feed can be selected easily. A front pick up feeder is also available and can be used for stable feeding of film and other substrates.



**Feed board**

The press allows a large variety of print substrate to be handled as the feed board surface is designed to minimise scratching and static electricity build up during the transport of the substrate. It is ideally suited for printing graphics, packaging, labels, ceramic transfers, membranes, film printing, and much more.



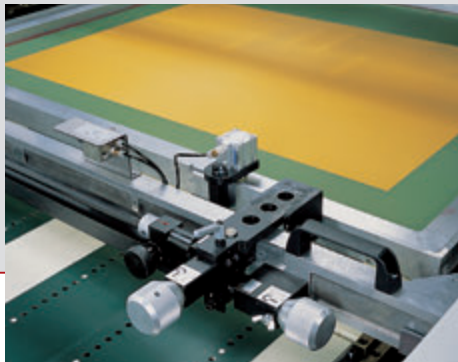
**Stop cylinder**

The non-reciprocating, stop motion cylinder system ensures perfect registration and high quality printing. The cylinder is stationary at the point when the grippers take the substrate at the start of the print stroke. The stop motion occurs on every print cycle and prevents damage to the edge of substrate.



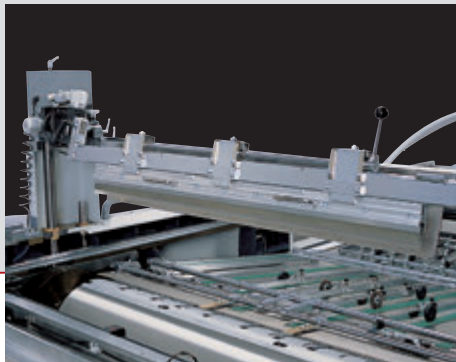
**Registration**

A pair of linear bearings are used in the pull/push convertible side lays. The registration system can be selected dependent on the substrate being printed. Furthermore, front lay and side lay sensors are fitted as standard so there is no need to be concerned about registration.



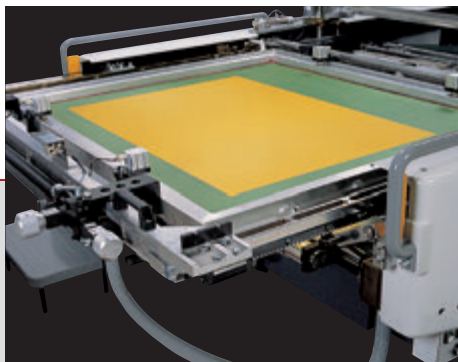
**Screen frame pneumatic lock clamp**

Simple toggle switch air cylinder clamps are fitted to the master frame carrier to hold the aluminum screen frame in position instantly and securely. Fine registration can be obtained with the micro adjuster knobs.



**Squeegee head & cylinder**

The squeegee and flood-coater are driven by individual cams, and a two-step action cam helps reduce the squeegee shock onto the screen mesh. Due to the positive down cam action, the printing pressure is evenly applied to the cylinder continuously, resulting in sharp dot reproduction and perfect solid printing. The vacuum cylinder with +/-0.01mm accuracy across the cylinder surface, a large cylinder shaft and specially made high precision bearings ensure the highest quality printing at higher speed.



**Screen Frame Pull-Out**

The screen frame can be unlocked and pulled out to the delivery end of the press so that feed position of substrate can be checked, readjusted and corrected. There is no need for registration adjustment as it will return to the same position when the screen frame is returned to the print position.



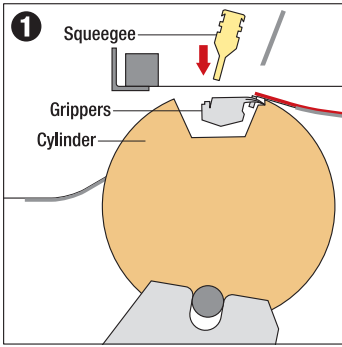
**Delivery board lowering device**

The delivery board can be lowered by 90 degrees to allow easy access to the screen mesh for cleaning or to the squeegee and flood coater for fixing and unfixing. The delivery belts are 280mm wide and transport the substrate straight and true.

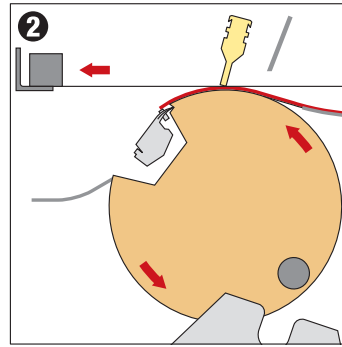
\*Those photos in this catalog are part of MS-102All. Some differences can be found on MS-80A

**WHY "STOP" CYLINDER can achieve perfect accuracy in printing?**

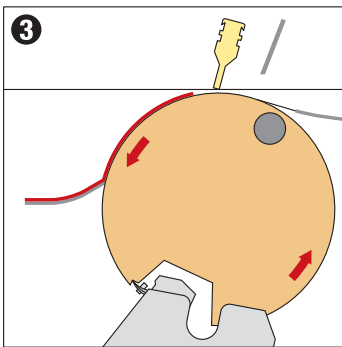
**BECAUSE the substrate is gripped only while the cylinder stops, resulting in no sheet movement**



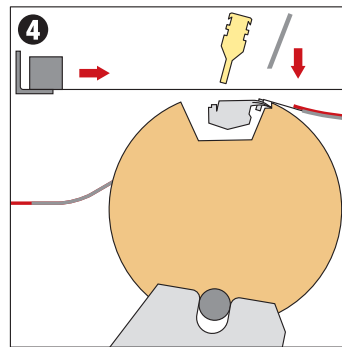
The grippers hold a substrate at the right position while the cylinder stops. Then the squeegee moves down onto the screen.



The squeegee moves down and printing starts at the top of the cylinder. The screen frame moves and the vacuum cylinder rotates

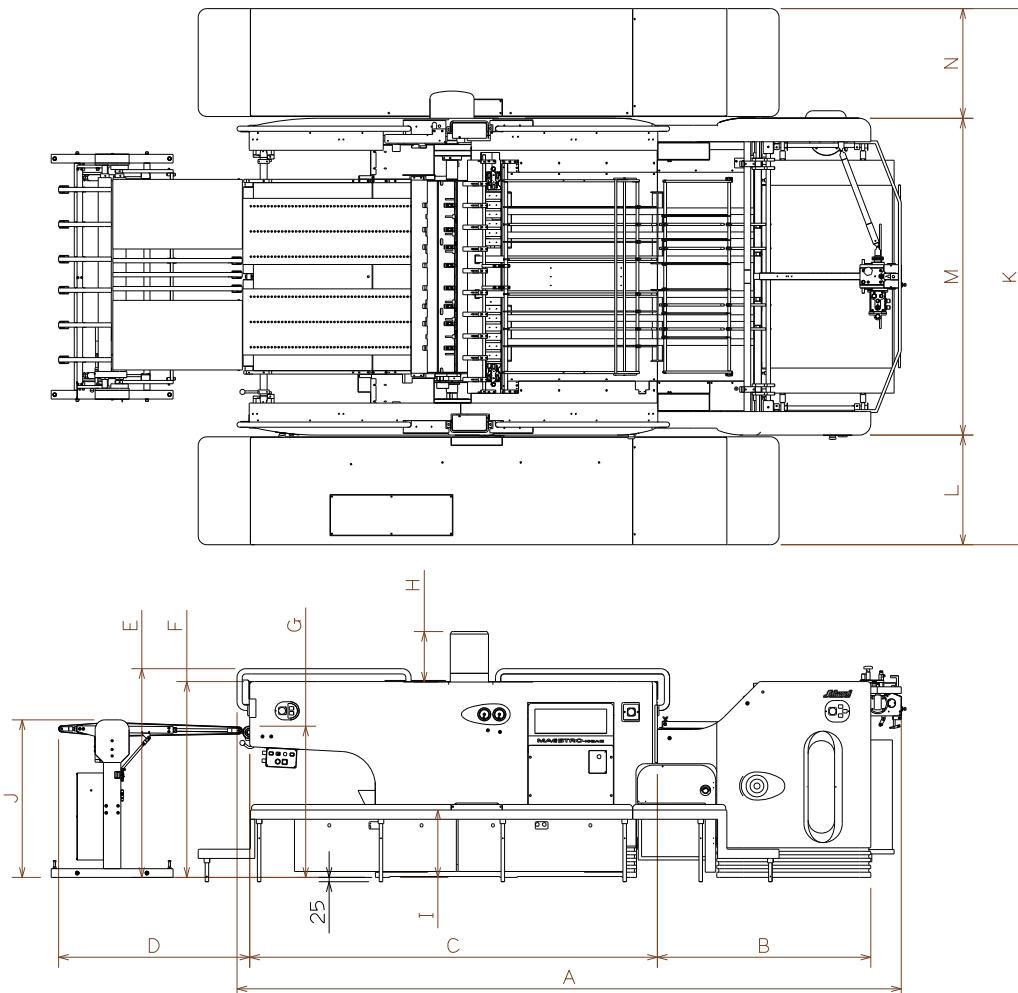


The substrate is delivered after being released by the grippers. The cylinder continues to rotate after the substrate is delivered.



The screen frame starts moving back. The flo-coater starts moving down onto the screen when the squeegee lifts up. The cylinder keeps rotating for printing the next substrate.

**DIMENSIONS**



SECTION	MODEL	MS80A	MS102A II
A		2968	3816
B		1000	1226
C		1810	2342
D		1065	1098
E		1170	1199
F		1095	1125
G		850	869
H		241	415
I		425	387
J		864	905
K		2600	3080
L		630	630
M		1340	1820
N		630	630

(unit: mm)

## SPECIFICATIONS

MODEL	MS-80A	MS-102A II
Max. sheet size (mm)	800×550 (31 <sup>5</sup> / <sub>8</sub> ×21 <sup>3</sup> / <sub>4</sub> "	1,050×750 (41 <sup>1</sup> / <sub>2</sub> ×29 <sup>5</sup> / <sub>8</sub> "
Min. sheet size (mm)	350×270 (13 <sup>7</sup> / <sub>8</sub> ×10 <sup>5</sup> / <sub>8</sub> ") (*1) 270×200 (10 <sup>5</sup> / <sub>8</sub> ×7 <sup>7</sup> / <sub>8</sub> ") (*2)	420×297 (16 <sup>5</sup> / <sub>8</sub> ×11 <sup>3</sup> / <sub>4</sub> ")
Max. print size (mm)	720×500 (28 <sup>3</sup> / <sub>8</sub> ×19 <sup>3</sup> / <sub>4</sub> ") OP: 770×500 (30 <sup>3</sup> / <sub>8</sub> ×19 <sup>3</sup> / <sub>4</sub> ")	1,020×700 (40 <sup>1</sup> / <sub>4</sub> ×27 <sup>5</sup> / <sub>8</sub> ") OP: 1,050×730 (41 <sup>1</sup> / <sub>2</sub> ×28 <sup>7</sup> / <sub>8</sub> ")
Printing speed (IPH)	400 – 3,600 (Front pick-up: 400 – 2,500)	800 – 4,000 (Front pick-up: 400 – 3,000)
Printable thickness (mm) (*3)	0.05 – 0.8	0.075 – 0.8
Ext. screen frame size (mm)	880×880 (34 <sup>3</sup> / <sub>4</sub> ×34 <sup>3</sup> / <sub>4</sub> ") OP: 930×880 (36 <sup>3</sup> / <sub>4</sub> ×34 <sup>3</sup> / <sub>4</sub> ")	1,300×1,170 (51 <sup>3</sup> / <sub>8</sub> ×46 <sup>1</sup> / <sub>8</sub> ") OP: 1,280×1,140 (50 <sup>1</sup> / <sub>2</sub> ×45")
Dimension L×W×H (mm)	2,968×2,600×1,336 (117 <sup>1</sup> / <sub>8</sub> ×102 <sup>5</sup> / <sub>8</sub> ×46 <sup>1</sup> / <sub>8</sub> ")	3,816×3,080×1,540 (150 <sup>5</sup> / <sub>8</sub> ×121 <sup>5</sup> / <sub>8</sub> ×47 <sup>3</sup> / <sub>8</sub> ")
Machine Weight (kg)	3,350	4,300
Electrical consumption (kw)	5.9	9.5

\*1 Only for rear pick up feeder

\*2 Only for front pick up feeder and without Hickey picker roller  
No center feeding if substrate is less than 350mm width.

The position of mechanical double sheet detector (optional item) shall be changed.

\*3 Depends on the kind of printing substrates and printing conditions, figures may be changed

## STANDARD ACCESSORIES

- Rear pick-up feeder
- Push/pull convertible side lay
- Suction feed belt
- Inverter speed control device (Digital indication)
- Built-in front lay sensor
- Screen frame pull-out device
- Screen frame air clamp device
- Delivery board lowering
- Ink drop pan (frame pull-out)
- Preset counter
- Rebound stopper
- Dripless squeegee swing type (80A)
- Squeegee impression digital control device (80A)
- Press down feed rollers/brushes

## OPTIONAL ACCESSORIES

- Front pick-up feeder
- Cross over stand
- Variety anti-static devices
- Double sheet detectors (Mechanical/Ultra-sonic)
- Hickey picker roller
- Pneumatic squeegee clamp
- U-cut master frame/screen part tensioners
- Piston sucker (Front pick-up feeder)
- Squeegee impression digital control device (102AII)
- Dripless squeegee swing type (102AII)
- Print elongation corrector
- High pile version (+300mm)
- Movable rebound stopper
- Air compressor (0.4kw)
- Smaller cyl.vacuum holes (102AII)
- Sheet feed ball rack

\*The information on this catalogue contains patented technology and under patent filings.

\*The manufacturer reserves the right to change without any prior notice, any of the followings as related to products listed in the subject catalogue.

(1) Improvement in safety, performance or functions

(2) Improvement in designed quality

\*The denoted speeds are indicative of the mechanically possible performance. Printing speeds are subject to variation according to the plates and substrates to be used.

\*Due to the combination of standard accessories and optional accessories, there is the possibility that any options cannot be equipped with the press.

\*Photographs appearing in this catalogue include some optional equipments.

The specifications given are as of June, 2011 and are subject to further change for improvement together with the content of the photographs.

**Superlative products to guarantee clients satisfaction**

**Sakurai**  
Sakurai Graphic Systems Corp.  
<http://www.sakurai-gs.co.jp>

Headquarters 2-2-9 Fukuzumi, Koto-ku, Tokyo 135-0032, Japan  
Tel: 81-3-3643-1131 Fax: 81-3-3641-9663 E-mail: info@sakurai-gs.co.jp  
London Branch Cherrywell House, Tamian Way, Hounslow, Middlesex TW4 6BL UK  
Tel: 44-20-8577-5672 Fax: 44-20-8572-3942 E-mail: admin@sakurai.co.uk  
Sakurai USA, Inc. 1700 North Basswood Road, Schaumburg, IL 60173, USA  
Tel: 1-847-490-9400 Fax: 1-847-490-4200 E-mail: sales@sakurai.com



ISO 9001,14001  
PRODUCTION & TECHNOLOGY DEPT.

Printed in Japan '13.05.30(R5)