

**Sakurai**



The best to print for large size thinner film substrates with imposed images Max. sheet size 1,140mm×788mm

**NEW**

**MAESTRO SERIES**

**MS110-DDS**

High precision full-automatic cylinder screen press

Sakurai, leading manufacturer of cylinder type screen press, releases the Direct servo Drive Stop cylinder screen printing press.

- Direct servo drive mechanism has applied for major drive part of the press including the printing cylinder drive. ▶ **No gears backlash is expected**
- Squeegee/flood coater pressure and print stroke/clearance gap can be set from touch panel ▶ **numerical job control can be applied.**
- Special treated feed board surface and feeding support by blow up and down air system ▶ **Scratch less sheet feeding**
- Large size touch panel is fitted in the squeegee unit part ▶ **Easy access for operation**
- Sakurai original smart cover (with exhaust duct) can be offered as option ▶ **Safety operation and improving print room atmosphere**

# MAESTRO SERIES MS110-DDS



MAESTRO SERIES MS110-DDS  
WITH UV DRYER AND STACKER LINE

## SQUEEGEE/FLOOD COATER PART

**AUTOMATIC ORIGINAL POSITION SETTING  
BY MEANS OF AC SERVO DRIVE MOTORS**



### MAJOR SPECIFICATIONS

MAX. SHEET SIZE (W X L)	mm	1,140 × 788
MIN. SHEET SIZE (W X L)	mm	420 × 297
MAX. PRINT SIZE (W X L)	mm	1,090 × 766
MAX. FRAME SIZE (W X L)	mm	1,340 × 1,206
SHEET THICKNESS (*)	mm	0.075~0.8
PRINTING SPEED	IPH	200-2,000

(\*) It changes due to the material and printing conditions

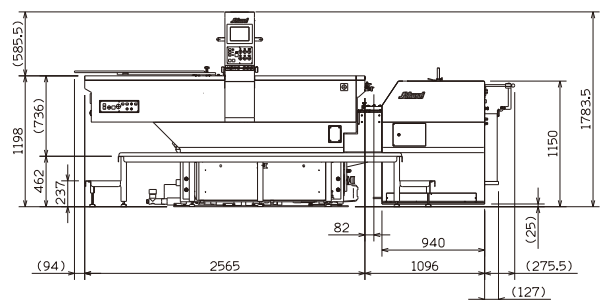
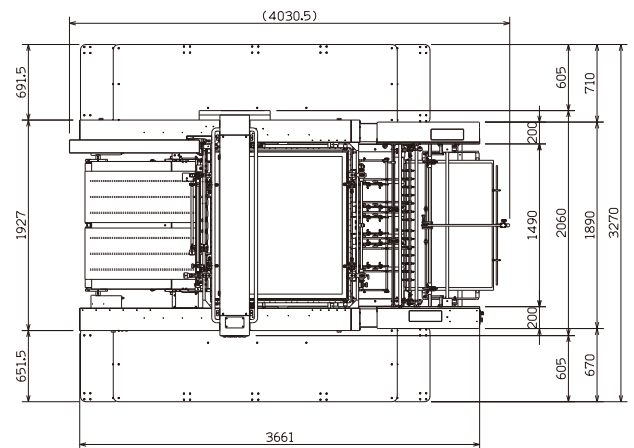
### STANDARD EQUIPMENT

- RONT PICK UP FEEDER (WITH BELT SPEED SLOW DOWN)
- PNEUMATIC SCREEN FRAME LOCK
- LCD TOUCH PANEL FOR OPERATION
- SQUEEGEE PRESSURE DIGITAL INDICATION
- PRINT ELONGATION CORRECTOR
- DELIVERY BOARD LOWERING
- QUICK CLAMP SQUEEGEE SECTION
- QUICK CLAMP FLOOD COATER BAR
- CYLINDER BUILT-IN FRONT LAY SENSORS
- SWING SQUEEGEE
- PRESET SHEET COUNTER
- SCREEN FRAME POSITIONING REMOTE CONTROL

### OPTIONAL EQUIPMENT

- TECHNICLEAN ROLLERS
- ANTI-STATIC ELIMINATION DEVICES
- ULTRA-SONIC DOUBLE SHEET DETECTOR
- CROSS OVER STAND
- CCD CAMERA ALIGNMENT SYSTEM

### DIMENSIONS unit:mm



※ The information on this catalogue contains patented technology and under patent fillings.

※ The manufacturer reserves the right to change without any prior notice, any of the followings as related to products listed in the subject catalogue.

(1) Improvement in safety, performance or functions (2) Improvement in designed quality

※ The denoted speeds are indicative of the mechanically possible performance. Printing speeds are subject to variation according to the plates and substrates to be used.

※ Photographs appearing in this catalogue include some optional equipments

※ The specifications given are as of May,2016 and are subject to further change for improvement together with the content of the photographs

**Superlative products to guarantee clients satisfaction**

**Sakurai**  
Sakurai Graphic Systems Corp.  
<http://www.sakurai-gs.co.jp>

Headquarters 2-2-9 Fukuzumi, Koto-ku, Tokyo 135-0032, Japan  
Tel: 81-3-3643-1131 Fax: 81-3-3641-9663 E-mail: info@sakurai-gs.co.jp  
London Branch Cherrywell House, Tamian Way, Hounslow, Middlesex TW4 6BL UK  
Tel: 44-20-8577-5672 Fax: 44-20-8572-3942 E-mail: admin@sakurai.co.uk  
Sakurai USA, Inc. 1700 North Basswood Road, Schaumburg, IL 60173, USA  
Tel: 1-847-490-9400 Fax: 1-847-490-4200 E-mail: sales@sakurai.com



ISO 9001, 14001  
PRODUCTION & TECHNOLOGY DEPT

PRINTED IN JAPAN '16.05.24